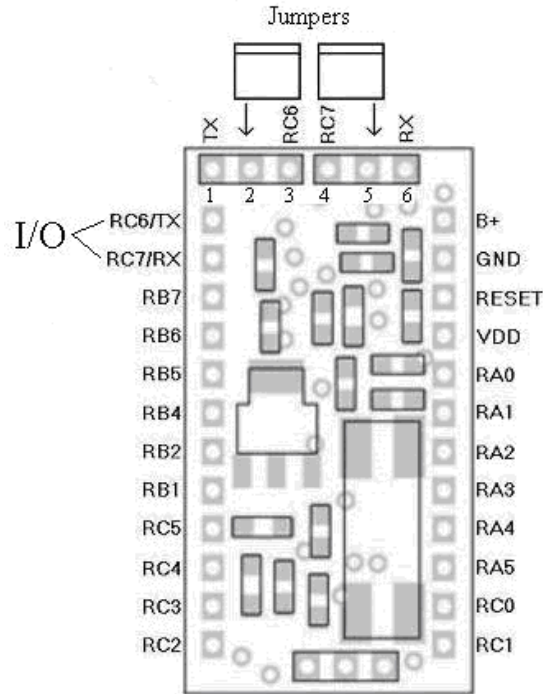


EZ-Controller Serial port Configuration

This applies to both EZ-Controller and EZ-Controller Turbo.

1. When RC6/TX and RC7/RX are used as normal I/O place jumpers on pins 2-3 and 4-5 of the 6 pins connector.



2. When RC6/TX and RC7/RX are used as a RS232 serial port place jumpers on pins 1-2 and 5-6 of the 6 pins connector.

